

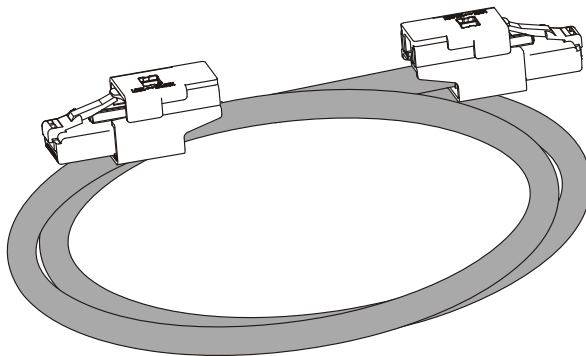
SYSTIMAX®

SOLUTIONS

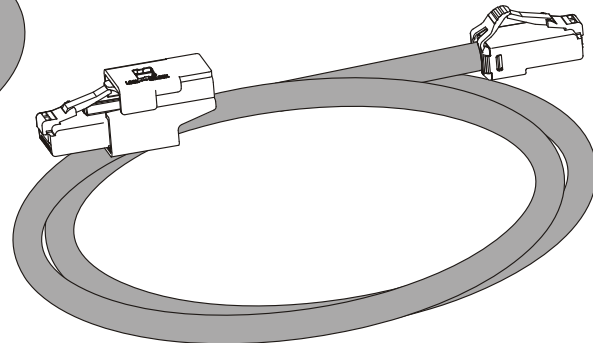


SYSTIMAX® SecureMAX GS8E-SM, GS10E-SM and GSXP-SM Tamper-Resistant Patch Cords

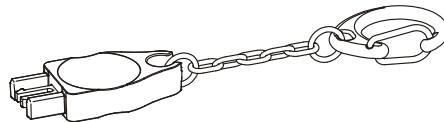
Components



GS8E-SM, GS10E-SM and GSXP-SM
Type Patch Cords



GS8E-SM-GS8E, GS10E-SM-GS10E
and GSXP-SM-GSXP Type Patch Cords

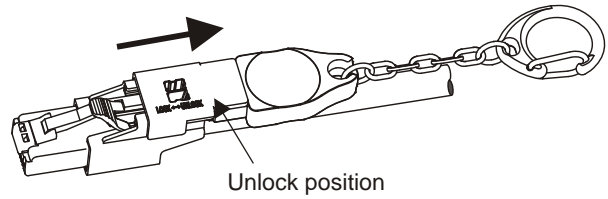
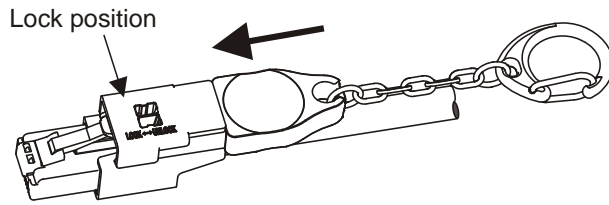


Cord Lock Key (SM-CL-KEY)
760099432 (Available Separately)

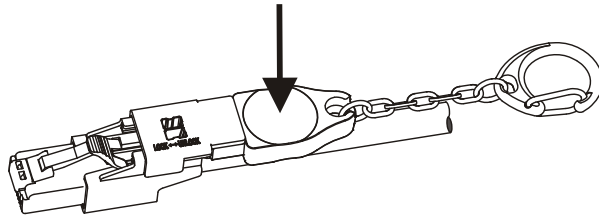
How to Contact Us

- To find out more about **SYSTIMAX**® Solutions, visit us on the web at <http://www.systemax.com/>
- For technical assistance regarding **SYSTIMAX** products:
 - Within the United States, contact your local account representative or **SYSTIMAX** technical support at 1-800-344-0223. Outside the United States, contact your local account representative or Authorized BusinessPartner.
 - Within the United States, report any missing or damaged parts to **SYSTIMAX** Customer Service in Omaha, NE, at 1-866-539-2795. Outside the United States, contact your local account representative or Authorized BusinessPartner.

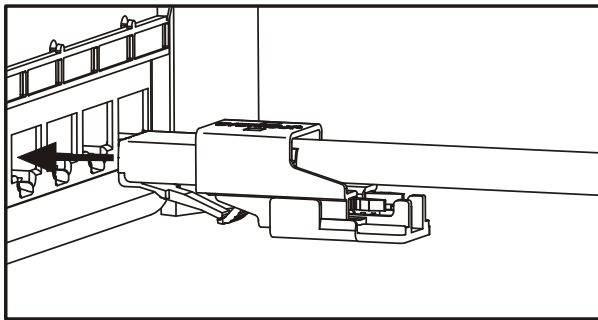
Unlock Patch Cord



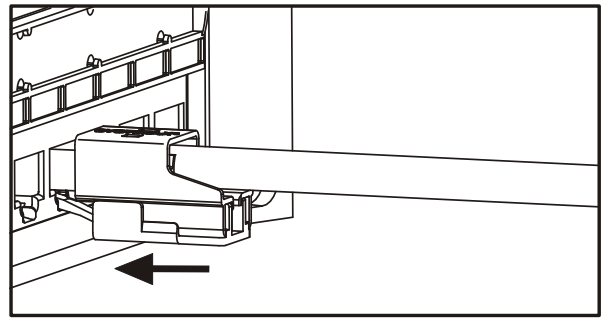
1. Insert key into latch section of cord lock until an audible click is heard.
2. Slide latch section towards key to the unlock position.



Connecting Patch Cord

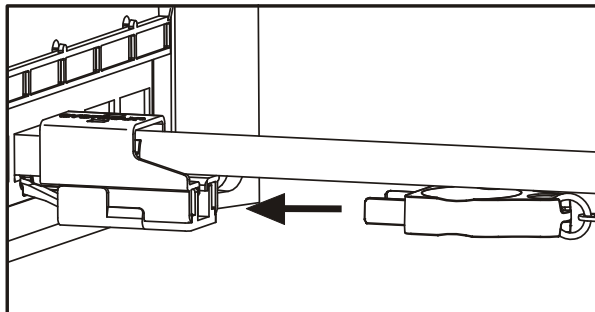


1. Connect **SYSTIMAX** patch cord into application.

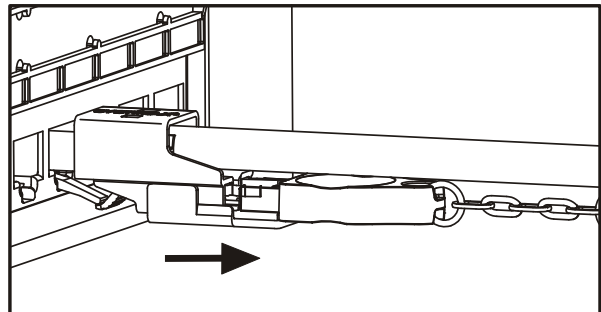


2. Slide latch section towards application until an audible click is heard. The patch cord is now locked.

Disconnecting Patch Cord



1. Insert key into latch section of patch cord until an audible click is heard.



2. Slide latch section towards key to the unlock position. Depress tab on patch cord and remove cord.